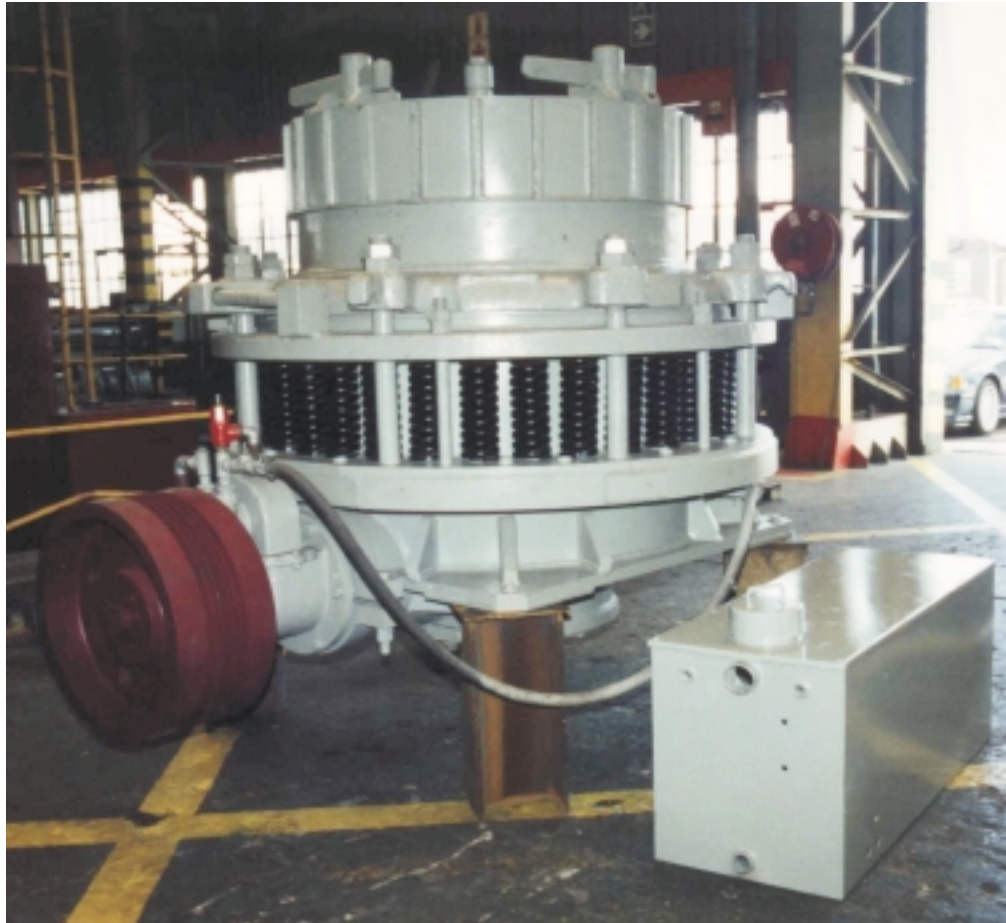


**OSBORN**

Engineered Products SA (Pty) Limited  
Shaping Materials Handling

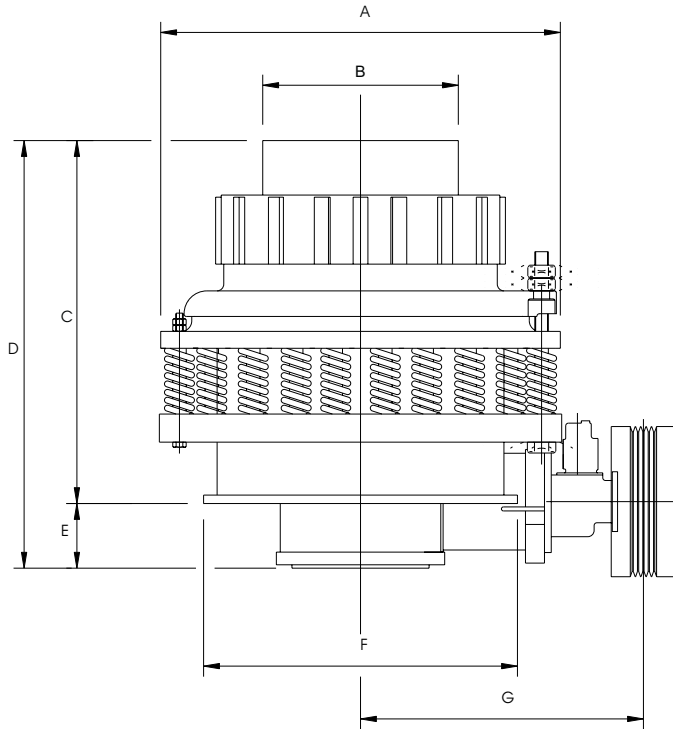
An Astec Company

## Osborn Telsmith D-Series Gyrasphere Cone Crusher



For productivity and reliability, the Telsmith D Series Gyrasphere Cone Crusher offers unbeatable value. The machine offers great structural strength, the use of improved alloys and heavy components.

- Heavy fast acting springs offer positive protection against tramp iron.
- Long throw spherical head action easily handles large and slabby feed, prevents bridging and keeps capacity at its maximum.
- To produce a powerful crushing action, the Telsmith Gyrasphere uses the combined force of a cam and lever action.
- To reduce stresses to an absolute minimum, the power of the two forces distributes the loads evenly over a large bearing area.
- The counterbalanced rotary seal ring offers greater machine balance resulting in smooth operation, while the non-contact seals reduce costly maintenance and minimize wear.
- Locking of the concave support bowl is by positive action Belville washers, when using hydraulic unlock cylinders alternatively by wedges.
- Incorrect oil temperature and pressure activates an alarm and stops the crusher.



### SPECIFICATION

#### D Series Gyrasphere Cone Crusher

Model	A	B	C	D	E	F	G
24	1283	680	1257	1418	161	1194	1067
36	2070	902	1549	1882	333	1588	1340
48	2438	1168	2013	2489	476	2057	1607
66	3100	1508	2102	2674	572	2774	1925

### CAPACITIES

Model	kW	Setting Range	Feed Opening Range		Capacity Range Metric tph
			Open Side mm	Closed Side mm	
24S	30	6 - 32 mm	63 - 117	47 - 105	14 - 55
36S	75	10 - 50 mm	114 - 196	95 - 165	31 - 112
48S	132	12 - 60 mm	140 - 240	114 - 210	80 - 235
66S	250	19 - 60 mm	228 - 380	203 - 350	185 - 450
24FC	30	3 - 19 mm	44	24	4 - 31
36FC	75	5 - 22 mm	50	28	19 - 81
48FC	132	6 - 22 mm	75	48	30 - 180
66FC	250	6 - 22 mm	114	64	88 - 280

#### Notes:

- Settings depend on bowl selection and feed size.
- 'S' capacities represent one pass through crusher.
- 'FC' capacities represent total throughput based on closed circuit crushing.
- Capacities depend on type of material crushed, feed analysis, moisture content, feed method and the amount of fines in the feed.
- The crusher is suitable for feed having a compressive strength of less than 350MPa.
- Feed opening range dependant on liner configuration.

**Osborn. Designers and manufacturers of bulk materials handling and minerals processing plant and equipment.**

**Head Office: Johannesburg**

P.O. Box 8182, Elandsfontein, 1406, South Africa

Tel: +27 11 820-7600 Fax: +27 11 388-1136  
 Email: osborn@osborn.co.za <http://www.osborn.co.za>

Cape Town (021) 556-1470; Durban (031) 569-4431  
 Welkom (057) 352-3374; Witbank (0136) 92-3035;  
 Also Samuel Osborn Zimbabwe and Agents in Cape Town, Kimberley, Kuruman,  
 Rustenburg, Witbank, Zambia, Namibia, Nigeria and Ghana

Ref No: 1-OTDCC-2001