



ECJ

3242 Jaw Crusher



The Affordable Alternative in New Crushing Equipment

Standard Features

- Fabricated, stress-relieved welded steel frame
- Reversible manganese jaw dies for maximum wear life
- Spherical, self-aligning roller bearings
- Fabricated, stress relieved, welded steel pitman
- Machined pitman face for full swing jaw die support
- Smooth running flywheels with compression ring fastening arrangement
- Hydraulic, shim-free adjustment of crusher setting

Optional Features

- Electric motor
- Drive sheave and bushing

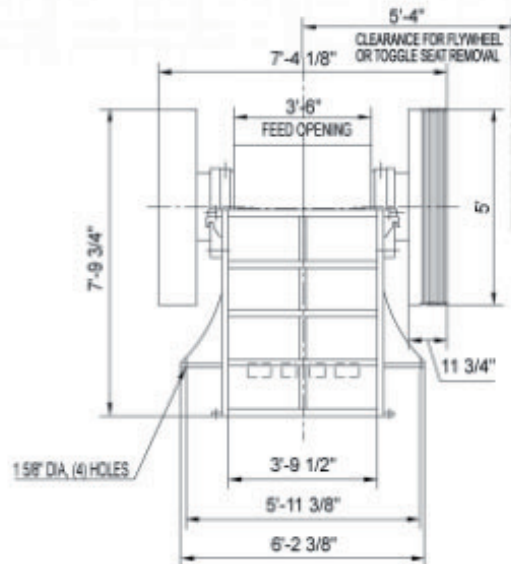
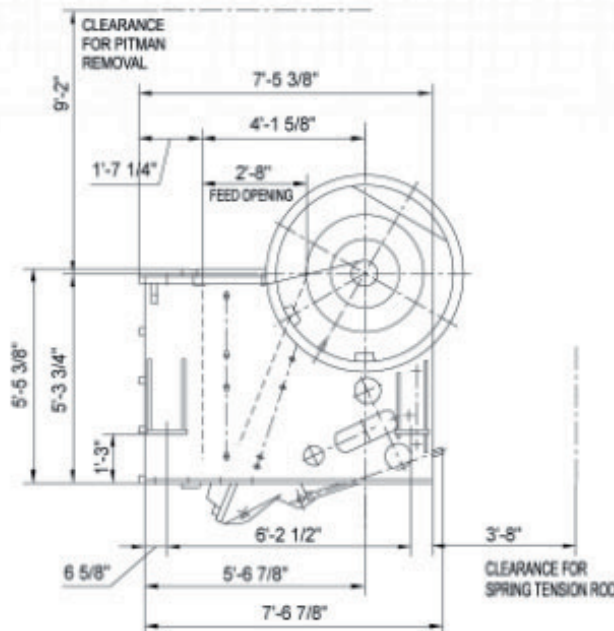


The Affordable Alternative in New Crushing Equipment

Specifications

Feed opening	32" x 42"
Discharge setting	2" to 5"
Maximum feed size	26"
Production range	58 to 270 TPH
Discharge setting	
2"	58 to 80 TPH
3"	80 to 140 TPH
3-1/2"	140 to 180 TPH
4-1/2"	180 to 220 TPH
5"	220 to 270 TPH
Required horsepower	150 ~ 200 HP
Rotor speed	250 RPM

Weights (LBS)	
Crusher	42,800
Flywheel	3,700
Swing jaw die	2,808
Fixed jaw die	2,365
Standard part dimensions (inches)	
Fixed jaw length	67-1/8
Swing jaw length	67-1/2
Bearing information	
Pitman bearing No.	23156CC/C3/W33
Frame bearing No.	24152CCK30/C3/W33



Note: Because of the nature of jaw crushers, it is not possible to produce a product all of which will pass a screen opening equivalent to the discharge setting. Oversize should be expected, and will fluctuate depending on the rock characteristics. For close settings, all undersize material should be screened off to increase the effectiveness of the jaw and to reduce wear on the jaw dies. Although the crusher may be configured to have a different discharge opening than indicated above, this crusher model is not designed to operate at other settings.

Design & Specifications Subject to Change Without Notice

November 2007