



GIP

1315V Horizontal Shaft Impact Crusher



The Affordable Alternative in New Crushing Equipment

Standard Features

- Heavy-duty, high inertia, semi-enclosed, balanced rotor
- Newly designed wedge type rotor, should make blowbar removal safer and easier
- Specially designed, impeller bar design to allow extended life
- Rotor locking system for safer and quicker rotor maintenance
- Large self-aligning spherical roller bearings with labyrinth seals
- Hydraulically opened rear section for easier access to rotor and impact curtains
- Hydraulically adjustable impact curtains
- Quick and accessible breaker bars for easy replacement and repositioning
- Inspection doors in key areas
- Large, clear discharge opening

Optional Features

- Electric motor
- Motor drive sheave and bushing

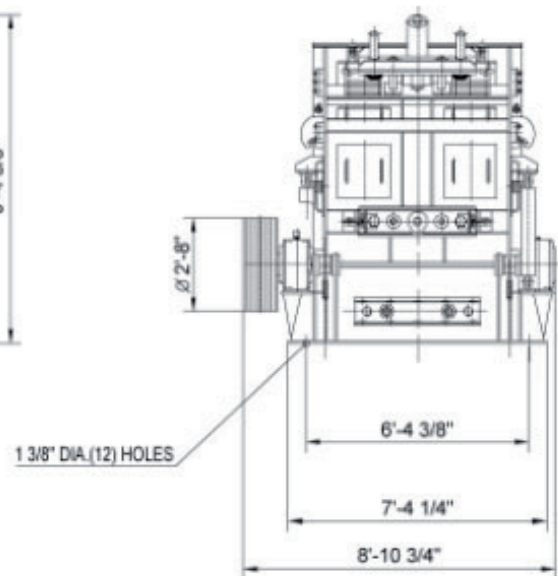
www.gatormachinery.com



The Affordable Alternative in New Crushing Equipment

Specifications

Feed opening (length x width)	60" x 32"	Weight	711 LBS each
Maximum feed size	24"	Front breaker plate liners	
Production range	100 to 300 TPH	Number	24
Required horsepower	300 HP	Weight	98 LBS each
Rotor speed range	400 to 700 RPM	Rear breaker plate liners	
Rotor width	59"	Number	20
Rotor diameter	52"	Weight	98 LBS each
Discharge setting	2" minus	Third breaker plate liners	
Approximate weight	48,100 LBS	Number	12
Impeller bar		Weight	89 LBS each
Number	8	Bearing size	190 mm



Design & Specifications Subject to Change Without Notice

November 2007