

**OSBORN**

Engineered Products SA (Pty) Limited  
Shaping Materials Handling

An Astec Company

## Osborn Hadfields Jaw Crusher (Single Toggle)



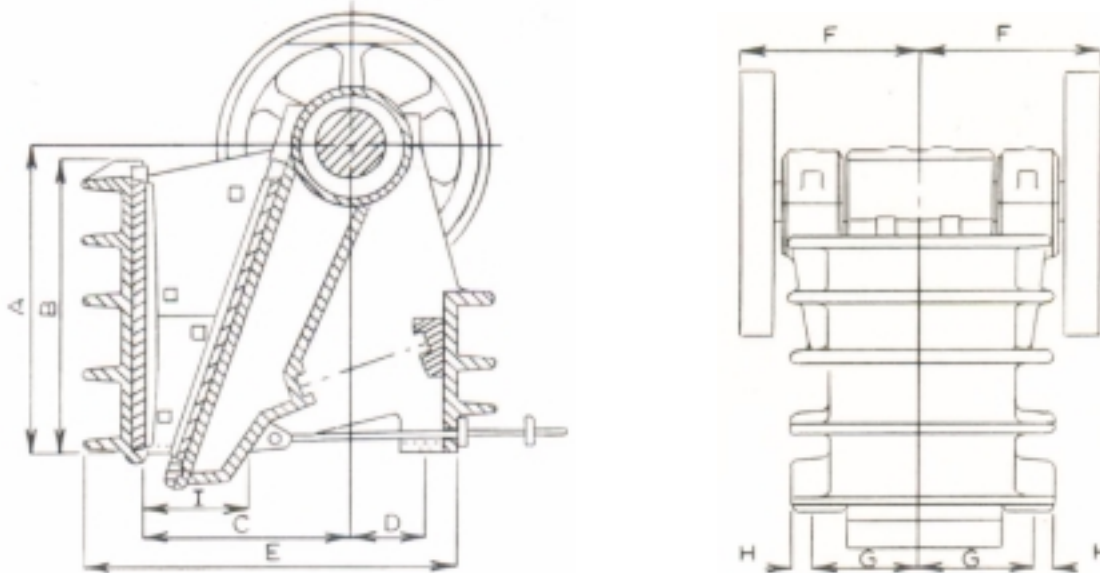
### Features

- Production capacity up to 1600 t/h.
- Rock compressive strength up to 400MPa.
- Excellent nip angle.
- Fabricated main frame and swing jaw.
- Reversible jaw dies for maximum wear.
- Relief / adjustment.

Osborn also offers installation, commissioning, spares, reconditioning and after sales service.

Osborn Hadfields Jaw Crushers compliment Osborn's wide range of mills, screens, gyrasphere cone crushers, feeders, scrubbers and idlers, plant capability and conveying systems.

Osborn Hadfields' complete line of jaw crushers, available in a wide range of sizes, lets you choose models that best suit your crushing needs.



Model	Kg	Kw	Rpm	Closed Side Setting mm	Capacity Range in t/h
3010	7700	30	350	5-75	10-70
3020	10500	75	330	50-100	55-100
4812	11000	75	375	10-75	20-140
4818	16800	75	250	50-130	100-260
8020	60100	110	250	75-130	290-680
8060	180000	220	140	130-300	650-1600

Model	A	B	C	D	E	F	G	H
3010	1270	710	270	490	1510	860	520	80
3020	1830	1220	590	300	1830	860	530	70
4812	1210	860	820	650	1760	1060	770	80
4818	1620	1590	1050	580	1890	1160	770	80
8020	2000	1720	1500	900	3100	1710	1330	120
8060	4250	3930	2720	1340	4600	1900	10800	5750

Capacities based on crushing dry limestone with a loose bulk density of 1.6t/m<sup>3</sup>

**Osborn. Designers and manufacturers of bulk materials handling and minerals processing plant and equipment.**

**Head Office: Johannesburg**

P.O. Box 8182, Elandsfontein, 1406, South Africa

Tel: +27 11 820-7600 Fax: +27 11 388-1136  
Email: [osborn@osborn.co.za](mailto:osborn@osborn.co.za) <http://www.osborn.co.za>

Cape Town (021) 556-1470; Durban (031) 569-4431  
Welkom (057) 352-3374; Witbank (0136) 92-3035;  
Also Samuel Osborn Zimbabwe and Agents in Cape Town, Kimberley, Kuruman,  
Rustenburg, Witbank, Zambia, Namibia, Nigeria and Ghana

Ref No: 1-CST-2001