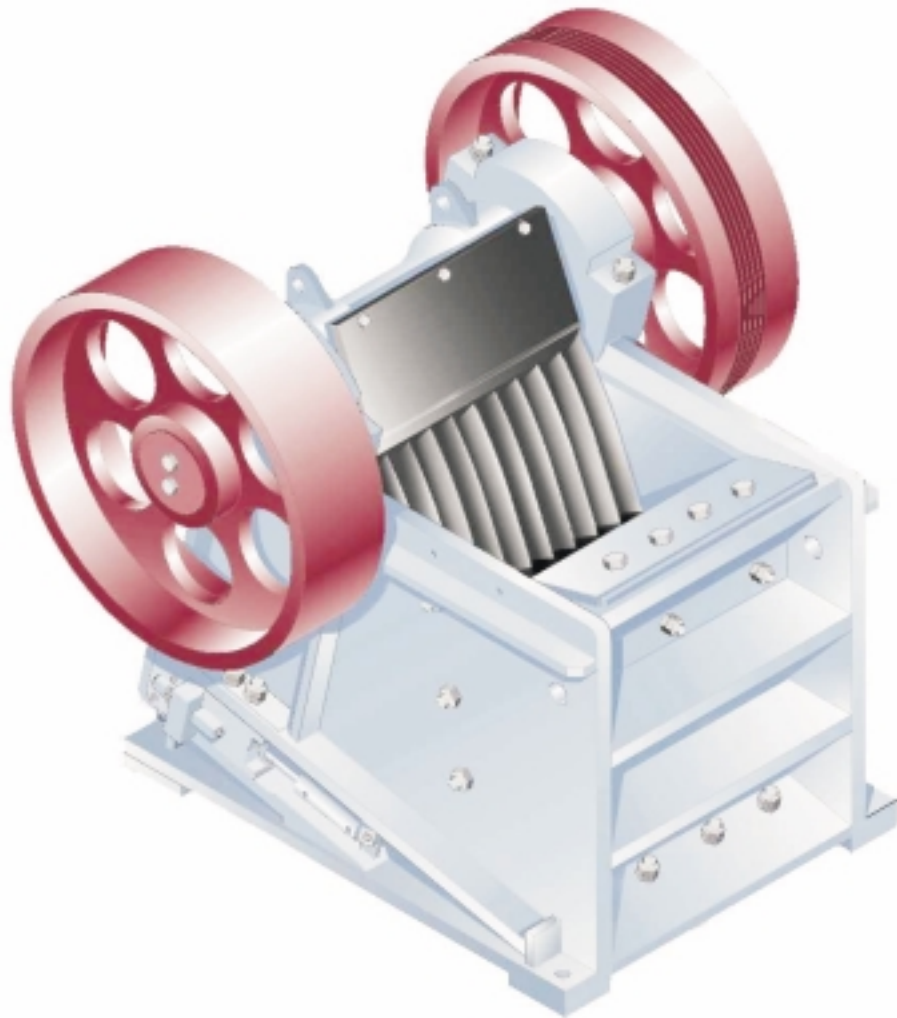


**OSBORN**

Engineered Products SA (Pty) Limited  
Shaping Materials Handling

An Astec Company

## Osborn Telsmith Jaw Crusher



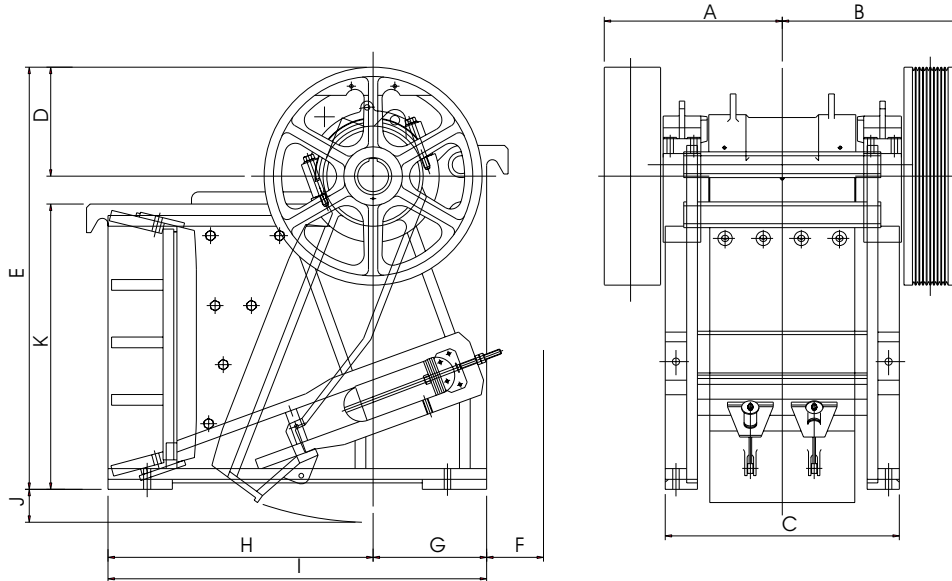
### Features

- Production capacity up to 850 t/h.
- Rock compressive strength up to 350MPa.
- Patented hydraulic beam locking system.
- Increased stroke.
- Higher speed.
- Excellent nip angle.
- Fabricated main frame and swing jaw.
- Patented oil lubrication system.
- Reversible jaw dies for maximum wear.
- Relief / adjustment.

**Osborn** also offers installation, commissioning, spares, reconditioning and after sales service.

**Osborn Telsmith Jaw Crushers** compliment **Osborn's** wide range of mills, screens, gyrasphere cone crushers, feeders, scrubbers and idlers, plant capability and conveying systems.

Telsmith's complete line of jaw crushers, available in a wide range of sizes, lets you choose models that best suit your crushing needs.



Model	A	B	C	D	E	F	G	H	I	J	K
1030	816	816	1143	483	1368	280	397	772	1169	152	733
1236	932	932	1308	483	1497	298	416	892	1308	178	851
2036	1100	1100	1372	635	2051	457	470	1334	1804	279	1289
2540	1153	1153	1556	686	2261	660	533	1524	2057	305	1422
3042	1241	1241	1683	762	2705	610	762	1829	2591	381	1676
3055	1413	1413	1975	686	2629	533	737	1784	2521	381	1676
3648	1370	1370	1803	838	3245	686	870	2076	2946	438	2108
4448	1446	1446	1917	914	2715	508	965	2235	3200	406	2857

Model	Mass Kg	Motor Kw	Speed Rpm	Closed Side Setting mm	Capacity Range in t/h
1030	4000	18.5	320	20 - 60	15 - 40
1236	5700	22	320	20 - 75	20 - 60
2036	12400	75	265	50 - 125	70 - 160
2540	16100	110	260	90 - 150	170 - 260
3042	24100	132	255	90 - 150	180 - 270
3055	26300	160	280	90 - 200	240 - 490
3648	34800	160	230	100 - 250	240 - 530
* 4448	52700	185	230	125 - 350	350 - 850

Capacities based on crushing dry limestone with a loose bulk density of 1.6t/m<sup>3</sup>.

\* The 4448 is supplied standard with a sectional frame.

**Osborn. Designers and manufacturers of bulk materials handling and minerals processing plant and equipment.**

**Head Office: Johannesburg**

P.O. Box 8182, Elandsfontein, 1406, South Africa

Tel: +27 11 820-7600 Fax: +27 11 388-1136  
 Email: osborn@osborn.co.za <http://www.osborn.co.za>

Cape Town (021) 556-1470; Durban (031) 569-4431  
 Welkom (057) 352-3374; Witbank (0136) 92-3035;  
 Also Samuel Osborn Zimbabwe and Agents in Cape Town, Kimberley, Kuruman,  
 Rustenburg, Witbank, Zambia, Namibia, Nigeria and Ghana

Ref No: 2-CJW-2001