



RMSB

410 × 2 Deck Buzzer Screen

The Affordable Alternative in New Crushing Equipment

Standard Features

- Spring action design
- Rubber cushion channels protect deck ribs
- Heavy duty screen pans
- Rectangular cross members
- Positive grease-type eccentric shaft bearings
- Heavy duty eccentric shaft
- Easily accessible spring assembly
- Heavy duty screen cloth support frames
- Heavy duty spring brackets with maximum contact area
- Weld free, single plate pan sides
- Eight leaf spring construction
- Removable transport supports

Optional Features

- Electric motor
- Motor drive sheave/Bushing



www.gatormachinery.com

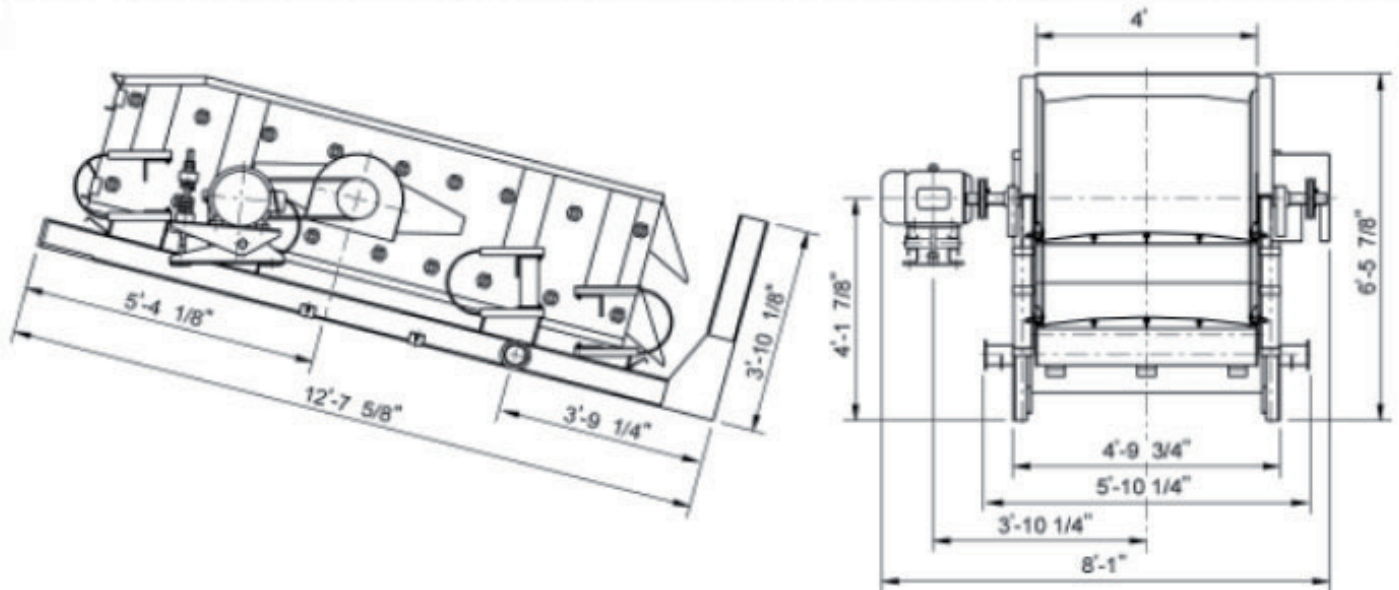


The Affordable Alternative in New Crushing Equipment

Specifications

| | |
|-------------------------|-----------|
| Number of decks | 2 |
| Leaf springs | 8 |
| Operating angle | 5° to 15° |
| Electric motor | 10 HP |
| Shaft speed | 970 RPM |
| Maximum feed size | 1 1/2" |
| Tons per hour | 100 TPH |

| | |
|---------------------------------------|-----------|
| Height of pan sides | 35" |
| Minimum clearance (top deck) | 10" |
| Minimum clearance (bottom deck) | 19" |
| Weight | 4,300 LBS |
| Bearings | 80 mm |
| Drive sheave | 5" |
| Driven sheave | 9" |



Design & Specifications Subject to Change Without Notice

November 2007